

SUBMITTAL SHEET

69ELF Series

Pressure Reducing Valve with Gauge

The Apollo Lead Free* Double Union Pressure Reducing Valve Model PRE (69ELF Series) is designed to conserve water and protect water distribution systems by automatically reducing elevated supply pressures. The dezincification resistant bronze body, stainless steel adjusting screw and dielectric polymer cage provide maximum corrosion resistance. Designed for easy in-line servicing with simple cartridge removal. With simple adjustability and an instant read, color-coded dial to provide downstream pressure measurement, this valve solves all of the annoyances of pressure regulators from the past. It also assists in the control of pressure surges from entering the structure from the water main to further protect fixtures and appliances. Excessive high pressure within a plumbing system can cause damage over time.

Specifications:

The PRV is designed to reduce pressure to a more functional level within its adjustment range. A gauge must be used to verify setting. To increase the set pressure, turn the handle clockwise. To decrease the set pressure, turn the handle counter-clockwise. Open a fixture to purge excess pressure, then verify setting. Allow for some fall-off from set pressure during flow conditions.

Features:

- Balanced Piston Design
- Sealed Cage for vault installations
- Large Area Integral Stainless Steel Strainer
- High Flow / high efficiency design
- NPT, Solder, PEX, CPVC, Push & Press Connections
- Control Pressure Ranges: 15-75 psi and 75-150 psi
- Single Union, Double Union and Less Union Configurations Available
- SS Adjusting Screw & Nut
- Built-in Thermal Expansion Bypass
- Modular Seat Disc and Strainer Cartridge
- Factory Tested and Preset at 60 psi
- 100% Manufactured in USA – ARRA Compliant

Approvals:

- NSF/ANSI 372 Lead Free
- ASSE 1003
- CSA B356
- NSF/ANSI 61 Water Quality
- IAPMO/UPC

Installation:

Prior to installing the Pressure Reducing Valve (PRV), all debris must be flushed from the line. Isolate the section where the PRV is to be installed by closing the shut-off valves. The PRV is designed to be installed in a piping system with the arrow on the valve pointing in the direction of flow. It can be mounted vertically or horizontally.

*LEAD FREE: The wetted surfaces of this product shall contain no more than 0.25% lead by weighted average. Complies with Federal Public Law 111-380, ANSI 3rd party approved and listed.

Job Name:	
Job Location:	
Engineer:	
Contractor:	
Tag:	
PO Number:	
Representative:	



Performance Rating:

- Maximum Supply Pressure: 400 psig
- Working Temperature Range: 33°F – 180°F



Standard Materials List:

Body:	Lead Free* Bronze, UNS 89836
Union Nut:	Brass, ASTM B16
Tailpiece:	Lead Free* Brass, UNS C27451
Screen:	Stainless Steel
Cap:	Noryl™
Diaphragm:	NSF-Grade EPDM
Seat Disc:	NSF-Grade EPDM
Adjusting Screwnut:	Stainless Steel
Spring:	Stainless Steel, ASTM A228
O-Rings:	NSF-Grade EPDM

VALVES

PEX-A Installation:

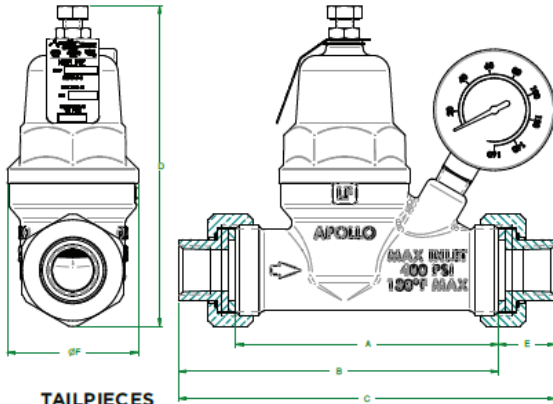
1. Cut pipe squarely and place expansion sleeve on end.
2. Insert expansion tool head into tubing and expand.
3. Immediately remove tool and insert valve end into pipe to shoulder. Pipe may take up to two minutes to fully seal.

PEX-B Installation:

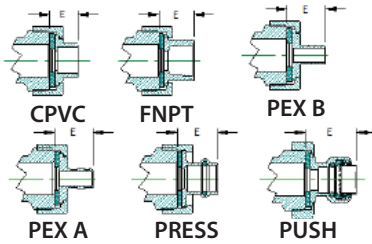
1. Cut pipe squarely and remove any burrs.
2. Slide ring, clamp or sleeve over end of pipe.
3. Insert valve barb end into pipe.
4. Fasten according to tool directions.

Push Installation:

1. Cut pipe squarely and remove any burrs.
2. Mark insertion depth using depth gauge (sold separately).
3. Push and twist pipe into valve until valve end edge meets depth line.



TAILPIECES



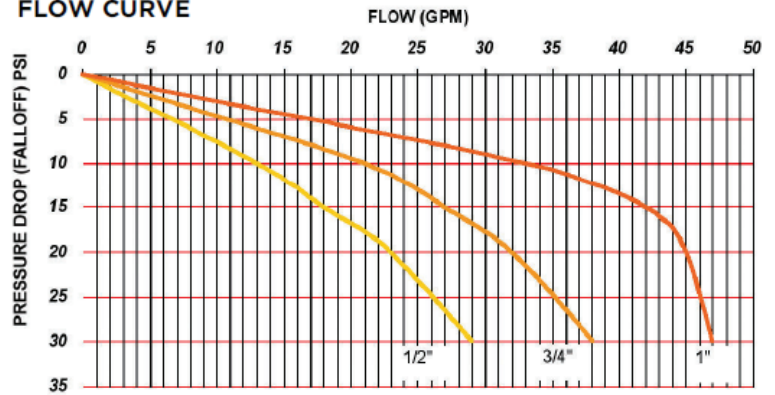
DIMENSIONS

CONNECTION TYPE	SIZE (IN.)	DIMENSIONS (IN.)						WEIGHTS (LB.)	
		A	B	C	D	E	F	SINGLE UNION	DOUBLE UNION
Thread - FNPT	3/4	4.39	5.32	6.25	6	0.93	2.75	2.6	2.9
Solder		4.39	5.32	6.25	6	0.93	2.75	2.6	2.9
CPVC		4.39	5.31	6.23	6	0.92	2.75	2.6	2.9
PEX A		4.39	5.59	6.79	6	1.20	2.75	2.9	3.2
PEX B/C		4.39	5.64	6.89	6	1.25	2.75	2.9	3.1
Push		4.39	6.17	7.95	6	1.78	2.75	3.1	3.2
Push*		4.39	5.99	7.59	6	1.60	2.75	3.0	3.4
Press		4.39	5.53	6.67	6	1.14	2.75	3.1	3.2
Press*		4.39	5.89	7.39	6	1.50	2.75	2.6	2.9

FLOW CAPACITY:

PIPE SIZE	*FALLOFF (PSI)	PRESSURE DIFFERENTIAL (PSI)		
		25	50	75
		WATER CAPACITY (GPM)		
3/4"	10	16	21	26
	15	20	27	32
	20	24	32	40
	30	29	38	48

FLOW CURVE



Note: Flow curves are based on static conditions of 100psi inlet pressure and 50 psi outlet pressure. Pressure differential is the difference between the supply pressure and adjusted outlet pressure measured in the static (closed) condition. Pressure fall-off is the decrease in downstream regulated pressure as the flow increases.